

1 2 3 4 5

A

A

B

B

C

C

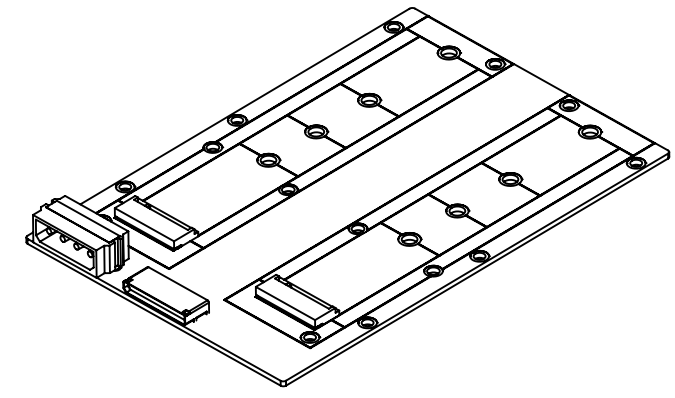
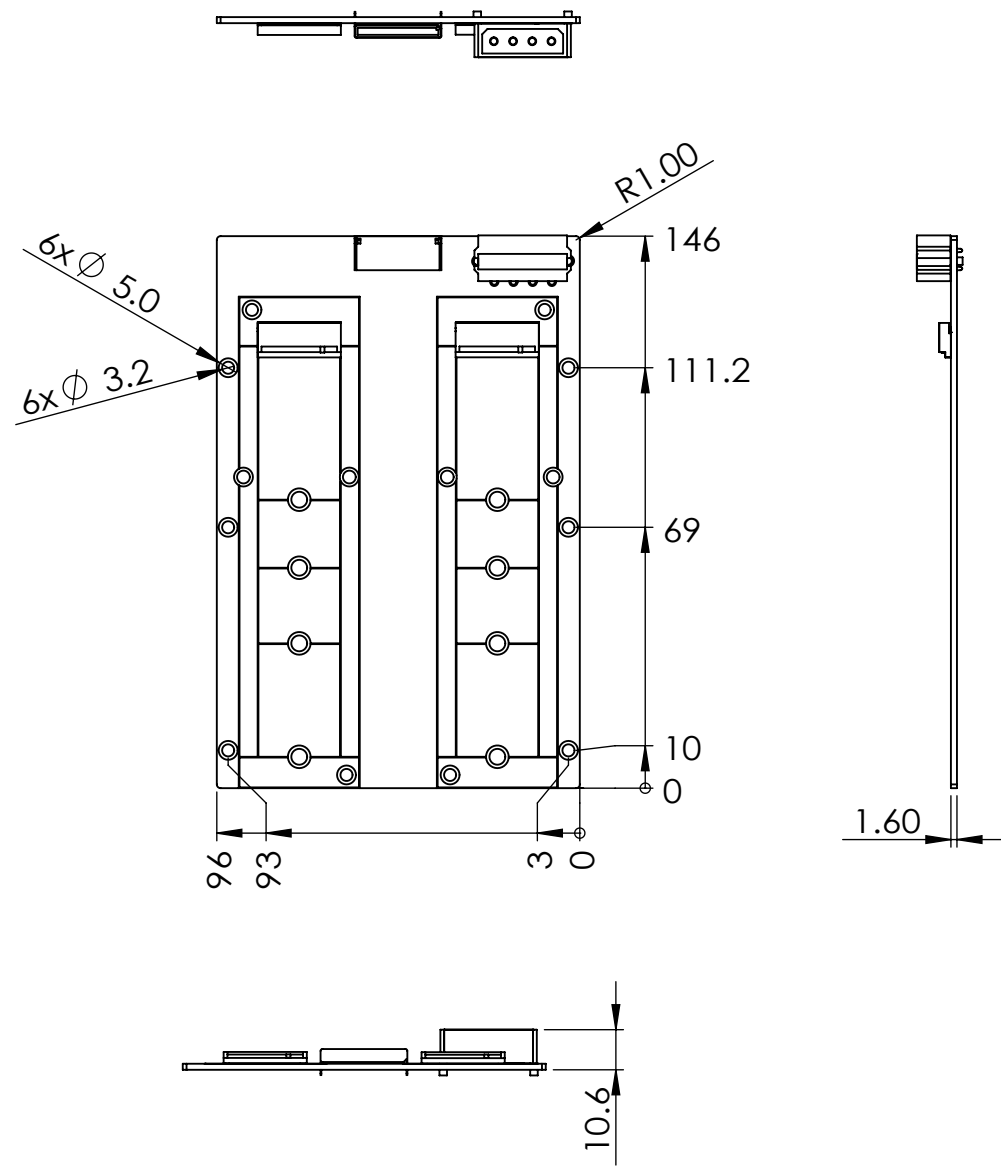
D

D

E

E

PCB Thickness(mils) : 1.6mm
 PCB length x Width : 146 X 96 mm



Drawn	Tina	Minerva Innovation Company			
Checked	2019-10-01	Title	PD803A		
Approved		Part NO.		Drawing NO.	
Angle of projection		Tolerance	Scale	Sheet	Siez
			1 : 2		
					Rev

1 2 3 4 5